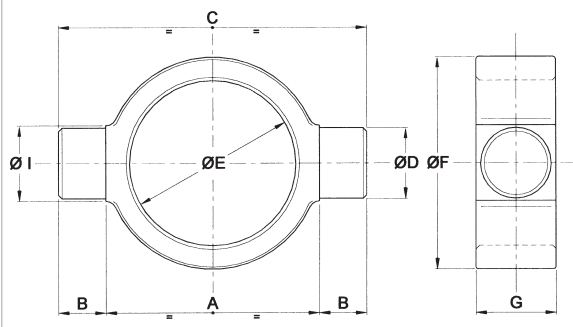


SERIE CL

Materiale - Material - Material - Matériel - Materia
Fe 510



COLLARI SALDABILI
WELDABLE TRUNNIONS
SCHWEISSBARE DREHZAPFEN
TOURILLONS SOUDABLES
MUNONES SOLDABLES



**SI COSTRUISCONO COLLARI SPECIALI
WE ARE ABLE TO BUILD SPECIAL TRUNNIONS**

| Cod. | Ø D ^{F7} | Ø E ^{H9} | A | B | C | Ø F | G | Ø I |
|------------------|-------------------|-------------------|-----|----|-----|-----|----|-----|
| CL 3545 | 20 | 45 | 60 | 15 | 90 | 60 | 24 | 22 |
| CL 4050 | 25 | 50 | 65 | 15 | 95 | 65 | 29 | 27 |
| CL 4555 | 25 | 55 | 70 | 15 | 100 | 70 | 29 | 27 |
| CL 5060 | 30 | 60 | 75 | 20 | 115 | 75 | 34 | 32 |
| CL 5565 | 30 | 65 | 80 | 20 | 120 | 80 | 34 | 32 |
| CL 6070 | 30 | 70 | 90 | 20 | 130 | 90 | 34 | 32 |
| CL 6373 | 35 | 73 | 95 | 25 | 145 | 95 | 44 | 42 |
| CL 6575 | 35 | 75 | 100 | 25 | 150 | 100 | 44 | 42 |
| CL 6580 | 35 | 80 | 100 | 25 | 150 | 100 | 44 | 42 |
| CL 7080 | 40 | 80 | 105 | 30 | 165 | 105 | 54 | 52 |
| CL 7085 | 40 | 85 | 105 | 30 | 165 | 105 | 54 | 52 |
| CL 8090 | 45 | 90 | 120 | 35 | 190 | 120 | 58 | 56 |
| CL 8095 | 45 | 95 | 120 | 35 | 190 | 120 | 58 | 56 |
| CL 90100 | 45 | 100 | 130 | 35 | 200 | 130 | 58 | 56 |
| CL 90105 | 45 | 105 | 130 | 35 | 200 | 130 | 58 | 56 |
| CL 100115 | 50 | 115 | 145 | 40 | 225 | 145 | 68 | 66 |
| CL 100120 | 50 | 120 | 145 | 40 | 225 | 145 | 68 | 66 |
| CL 110125 | 50 | 125 | 155 | 40 | 235 | 155 | 68 | 66 |
| CL 110130 | 50 | 130 | 155 | 40 | 235 | 155 | 68 | 66 |

- I DATI NON SONO IMPEGNATIVI
- DATA ARE NOT BINDING
- DIE DATEN SIND NICHT VERBINDLICH
- LES DONNÉES TECHNIQUES NE NOUS ENGAGENT PAS
- LOS DATOS NO SON VINCULANTES

