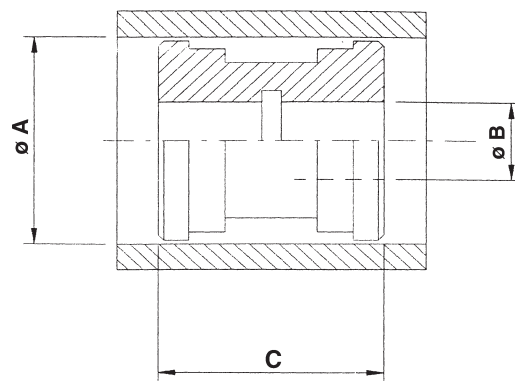


# SERIE PIS

Materiale - Material - Material - Matériel - Materia  
 Acciaio AVP (9 SMn Pb 28)



PISTONE  
 PISTON  
 KOLBEN  
 PISTON  
 PISTON

| Cod.                | Ø A | Ø B | C  |
|---------------------|-----|-----|----|
| <b>PIS 03201530</b> | 32  | 15  | 30 |
| <b>PIS 03501540</b> | 35  | 15  | 40 |
| <b>PIS 04001540</b> | 40  | 15  | 40 |
| <b>PIS 04501540</b> | 45  | 15  | 40 |
| <b>PIS 05002040</b> | 50  | 20  | 40 |
| <b>PIS 05502040</b> | 55  | 20  | 40 |
| <b>PIS 06002050</b> | 60  | 20  | 50 |
| <b>PIS 06002750</b> | 60  | 27  | 50 |
| <b>PIS 06002445</b> | 60  | 24  | 45 |
| <b>PIS 06302050</b> | 63  | 20  | 50 |
| <b>PIS 06302750</b> | 63  | 27  | 50 |
| <b>PIS 06502050</b> | 65  | 20  | 50 |
| <b>PIS 06502445</b> | 65  | 24  | 45 |
| <b>PIS 07002050</b> | 70  | 20  | 50 |
| <b>PIS 07002750</b> | 70  | 27  | 50 |
| <b>PIS 07002445</b> | 70  | 24  | 45 |
| <b>PIS 07502445</b> | 75  | 24  | 45 |
| <b>PIS 07502750</b> | 75  | 27  | 50 |
| <b>PIS 08002445</b> | 80  | 24  | 45 |
| <b>PIS 08002750</b> | 80  | 27  | 50 |
| <b>PIS 08003050</b> | 80  | 30  | 50 |
| <b>PIS 08502445</b> | 85  | 24  | 45 |
| <b>PIS 08502750</b> | 85  | 27  | 50 |
| <b>PIS 09002750</b> | 90  | 27  | 50 |
| <b>PIS 09003350</b> | 90  | 33  | 50 |
| <b>PIS 10002750</b> | 100 | 27  | 50 |
| <b>PIS 10003350</b> | 100 | 33  | 50 |
| <b>PIS 11003350</b> | 110 | 33  | 50 |
| <b>PIS 11004050</b> | 110 | 40  | 50 |
| <b>PIS 12004050</b> | 120 | 40  | 50 |
| <b>PIS 12504050</b> | 125 | 40  | 50 |
| <b>PIS 14004058</b> | 140 | 40  | 58 |
| <b>PIS 15004058</b> | 150 | 40  | 58 |
| <b>PIS 16005158</b> | 160 | 51  | 58 |

• I DATI NON SONO IMPEGNATIVI  
 • DATA ARE NOT BINDING  
 • DIE DATEN SIND NICHT VERBINDLICH  
 • LES DONNÉES TECHNIQUES NE NOUS ENGAGENT PAS  
 • LOS DATOS NO SON VINCULANTES

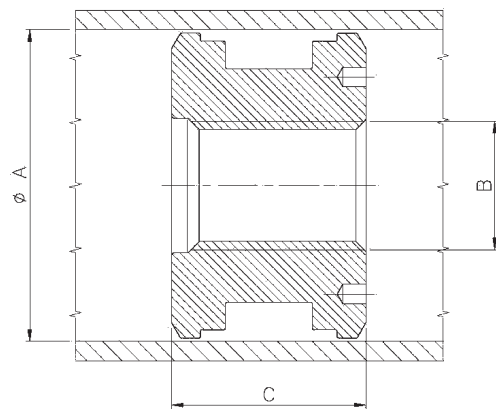


# EPF

Materiale - Material - Material - Matériel - Materia  
Acciaio AVP (9 SMn Pb 28)



PISTONE FILETTATO  
THREADED PISTON  
KOLBEN MIT INNENGEWINDE  
PISTON FILETE  
PISTON ROSCADO



| Cod.                 | Ø A | B      | C  |
|----------------------|-----|--------|----|
| <b>EPF 060024045</b> | 60  | M 24x2 | 45 |
| <b>EPF 063024045</b> | 63  | M 24x2 | 45 |
| <b>EPF 070024050</b> | 70  | M 24x2 | 50 |
| <b>EPF 070027050</b> | 70  | M 27x2 | 50 |
| <b>EPF 080033050</b> | 80  | M 33x2 | 50 |
| <b>EPF 090033050</b> | 90  | M 33x2 | 50 |
| <b>EPF 100033050</b> | 100 | M 33x2 | 50 |

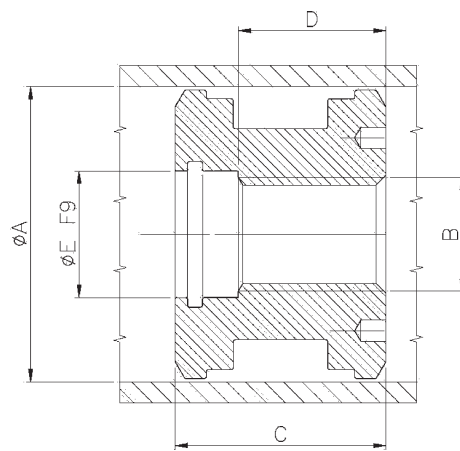
- I DATI NON SONO IMPEGNATIVI
- DATA ARE NOT BINDING
- DIE DATEN SIND NICHT VERBINDLICH
- LES DONNÉES TECHNIQUES NE NOUS ENGAGENT PAS
- LOS DATOS NO SON VINCULANTES

# EPF..C

Materiale - Material - Material - Matériel - Materia  
Acciaio AVP (9 SMn Pb 28)



PISTONE FILETTATO CON CENTRAGGIO  
THREADED PISTON WITH SPIGOT/CENTERING



| Cod.                   | Ø A | B        | C  | D  | Ø E |
|------------------------|-----|----------|----|----|-----|
| <b>EPF 040018036 C</b> | 40  | M 18x1.5 | 36 | 23 | 20  |
| <b>EPF 050018040 C</b> | 50  | M 18x1.5 | 40 | 25 | 25  |
| <b>EPF 060024045 C</b> | 60  | M 24x2   | 45 | 32 | 30  |
| <b>EPF 070027050 C</b> | 70  | M 27x2   | 50 | 35 | 30  |
| <b>EPF 080027050 C</b> | 80  | M 27x2   | 50 | 35 | 28  |
| <b>EPF 090027050 C</b> | 90  | M 27x2   | 50 | 35 | 28  |
| <b>EPF 100033050 C</b> | 100 | M 33x2   | 50 | 35 | 35  |

- È consigliabile bloccare il pistone filettato con un grano M6 tra pistone e stelo, utilizzando un'adesivo frenafiletto tipo Loctite (vedi figura)
- It is suggested to lock the threaded piston by means of a security dowel M6 between piston and rod, using a threadlocking adhesive, like Loctite's one. (see picture)

- I DATI NON SONO IMPEGNATIVI
- DATA ARE NOT BINDING
- DIE DATEN SIND NICHT VERBINDLICH
- LES DONNÉES TECHNIQUES NE NOUS ENGAGENT PAS
- LOS DATOS NO SON VINCULANTES

